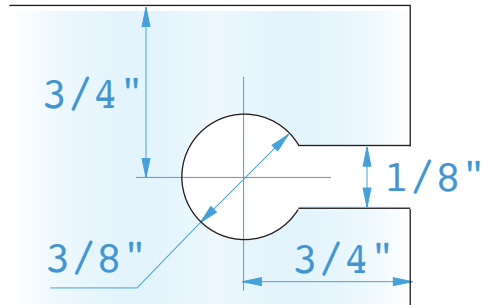


*Glass Drilled Only
(Non-Removable)*



*Glass Drilled & Slotted
(Removable)*

SUPPORTS FOR DRILLED & SLOTTED SHELF

Part #	Diameter (a)	Depth (b)	Cable Offset (c)	Hole Dia. (d)
CS301/SS	16mm (5/8")	14mm (35/64")	N/A	10mm (3/8")
	Shelf Thickness (e)	Finish	Load Limit	Allen Wrench
	up to 25mm (1")	Natural Stainless	11.5kg (25lb) each *Subject to fixing	2.5mm Metric