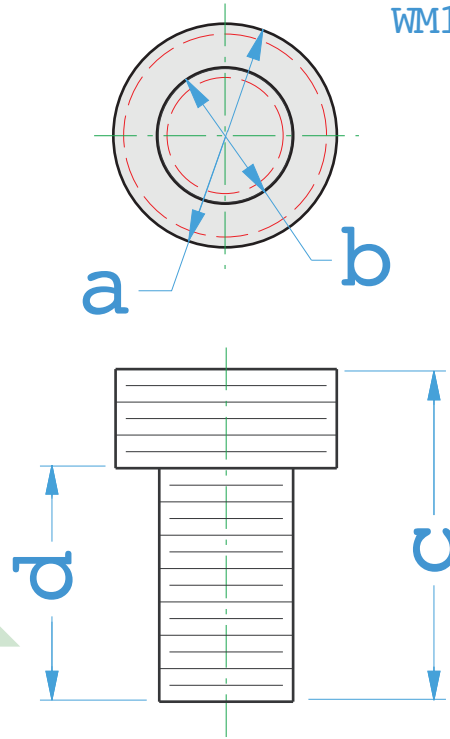


Double Depth Panels -
Join to sign supports together using PC31 to create a double-depth sign.

Need A Longer Support? -
Join two sign supports together using PC31 to make a desirable length support.

Compatible with
1" diameter premium
brass supports
WM15, WM16, or WM17)



SUPPORT JOINER / PANEL SPACER WITH M8 STUD

Part #	Thread Size (a)	Thread Size (b)	Length (c)	Stud Length (d)
PC31	M14 x 1.0	M8 x 1.0	18mm (23/32")	12mm (1/2")
	Panel Thickness	Load Limit	Allen Wrench	Finish
	7mm (1/4") max	11.5kg (25lb) each *Subject to fixing	N/A	Unfinished Brass