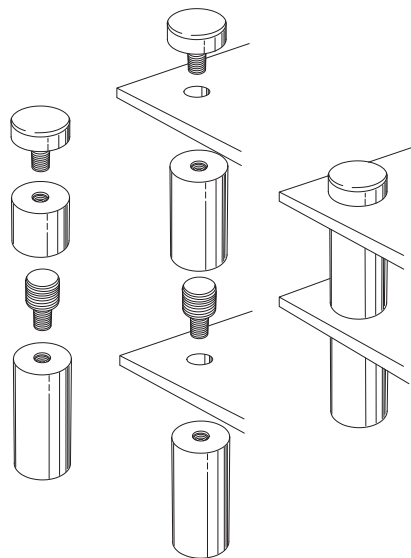
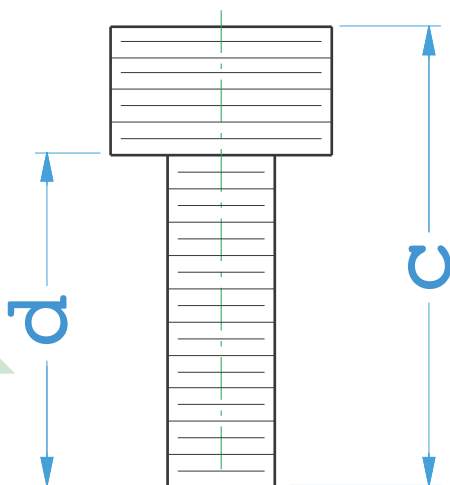
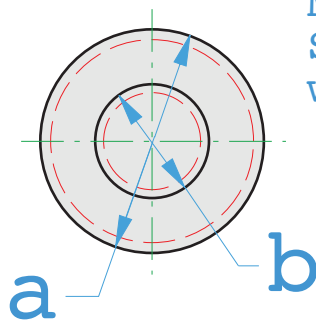


Compatible with
MSM Series Aluminum
Sign Standoffs
with M6 Stud-Caps



Double Depth Panels -
Join to sign supports together
using PCW-M14-M6 to create a
double-depth sign.

Need A Longer Support? -
Join two sign supports together
using PCW-M14-M6 to make a
desirable length support.



SUPPORT JOINER / PANEL SPACER WITH M6 STUD

Part #	Thread Size (a)	Thread Size (b)	Length (c)	Stud Length (d)
PCW-M14 -M6	M14 x 1.0	M6 x 1.0	28mm (1-1/8")	20mm (3/4")
	Panel Thickness	Load Limit	Allen Wrench	Finish
	12mm (1/2") max	11.5kg (25lb) each *Subject to fixing	N/A	Unfinished Brass