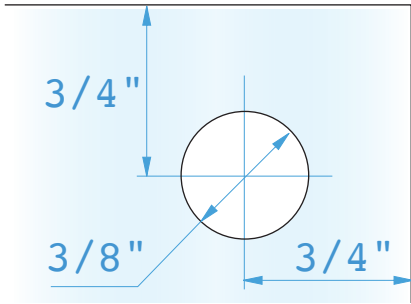
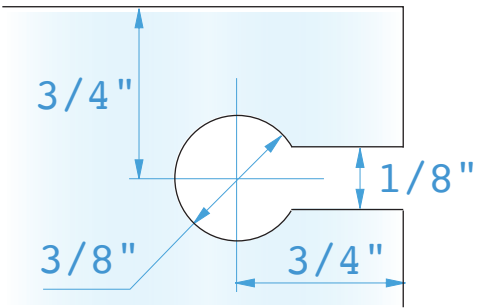


**10mm
(3/8")
Hole Dia.
+ Slot**



*Glass Drilled Only
(Non-Removable)*



*Glass Drilled & Slotted
(Removable)*

SUPPORTS FOR DRILLED & SLOTTED SHELF

Part #	Diameter (a)	Depth (b)	Rod Offset (c)	Screw Offset (d)
RS01	16mm (5/8")	8mm (5/16")	N/A	N/A
	Panel Thickness (e)	Finish	Load Limit	Allen Wrench
	Shelf drilled & slotted	Satin Chrome	11.5kg (25lb) each *Subject to fixing	2.5mm Metric